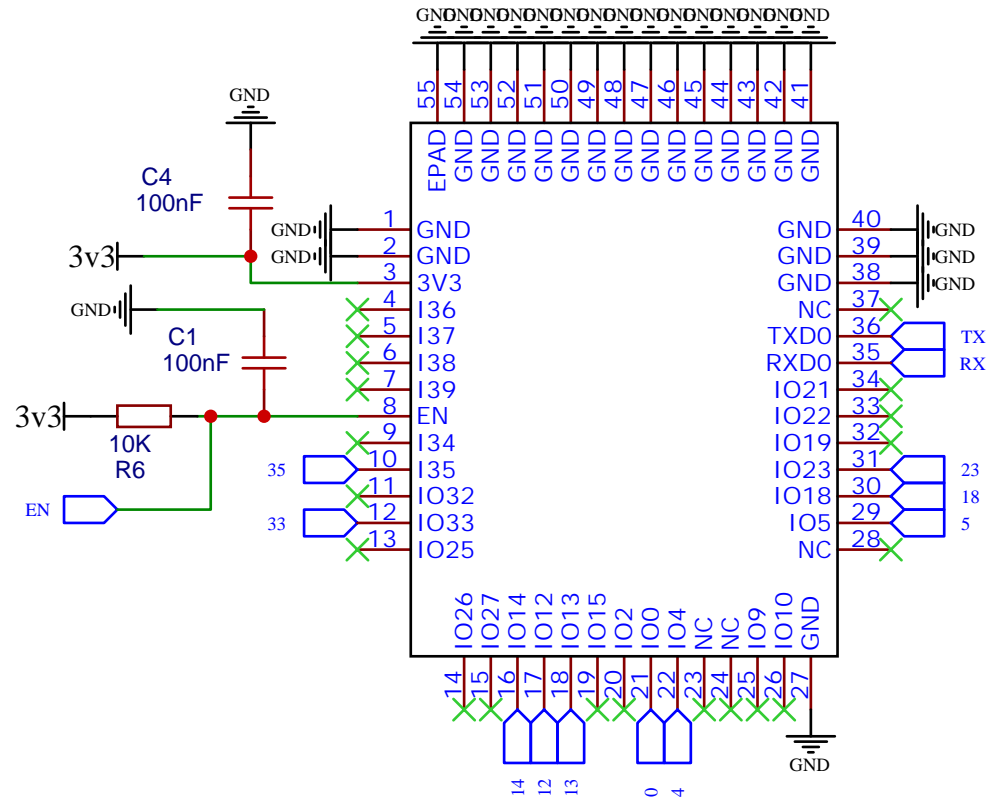
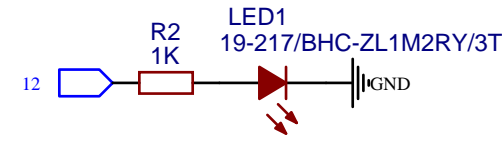


ESP32

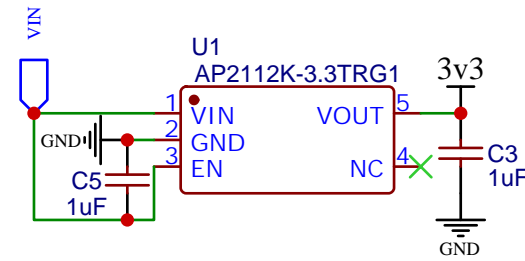
U2
ESP32-MINI-1



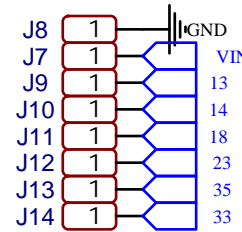
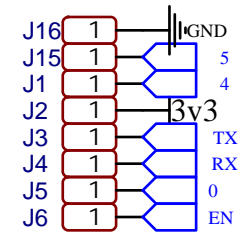
Status LED



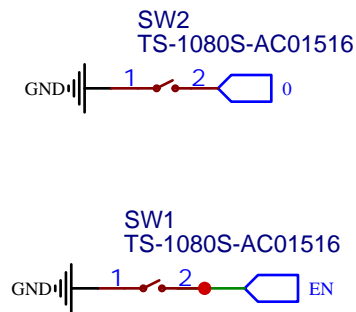
Power - voltage regulator



Pins



Buttons



TITLE: VCON-W1 schematic		REV: 1.0
Company: Cesanta		Sheet: 1/1
Date: 2021-04-07		Drawn By: cpq