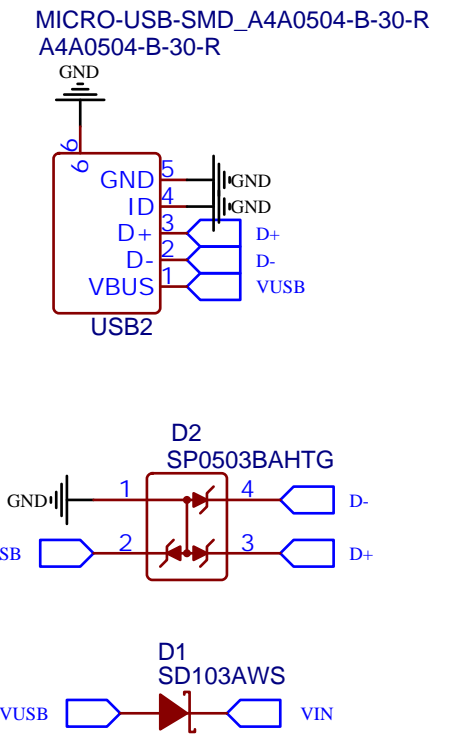
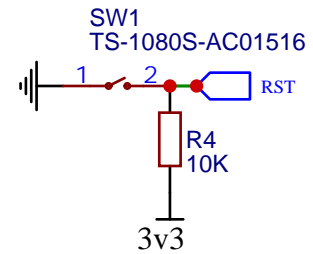


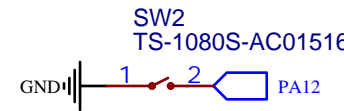
USB with ESD protection



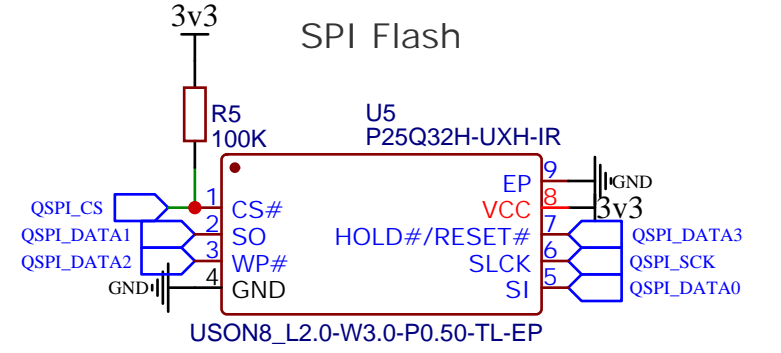
Reset button



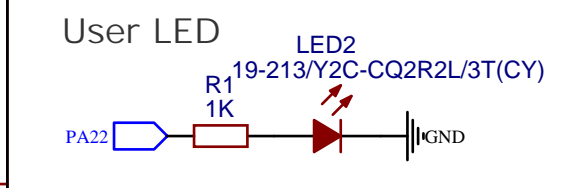
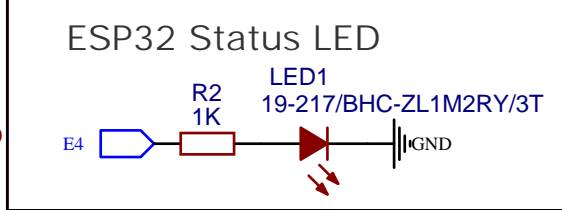
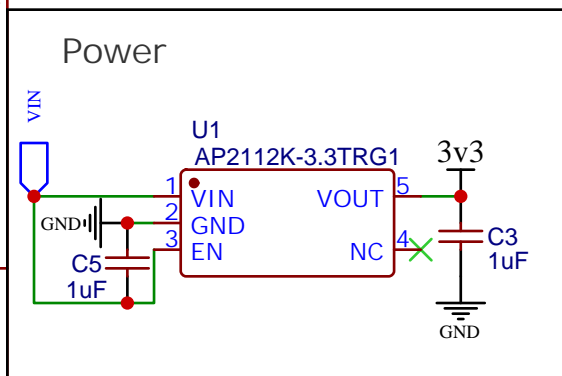
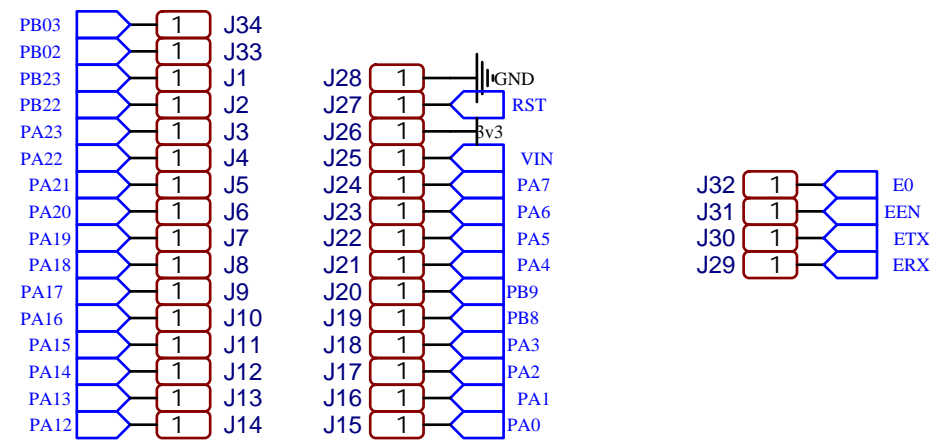
User button



SPI Flash



Headers



TITLE: VCON-D51 schematic		REV: 1.0
Company: Cesanta		Sheet: 1/1
Date: 2021-04-07	Drawn By: cpq	